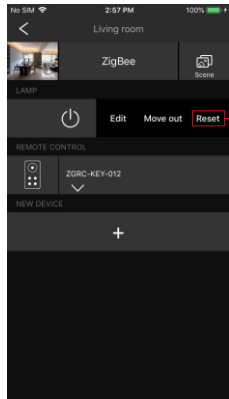


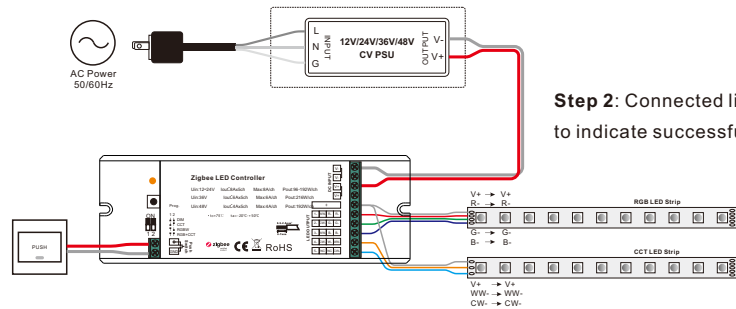
5. Removed from a Zigbee Network through Coordinator or Hub Interface



From your ZigBee controller or hub interface, choose to delete or reset the lighting device as instructed. The connected light blinks 3 times to indicate successful reset.

6. Factory Reset Manually

Step 1: Short press "Prog." key for 5 times continuously or reset power of the device for 5 times continuously if the "Prog." key is not accessible.

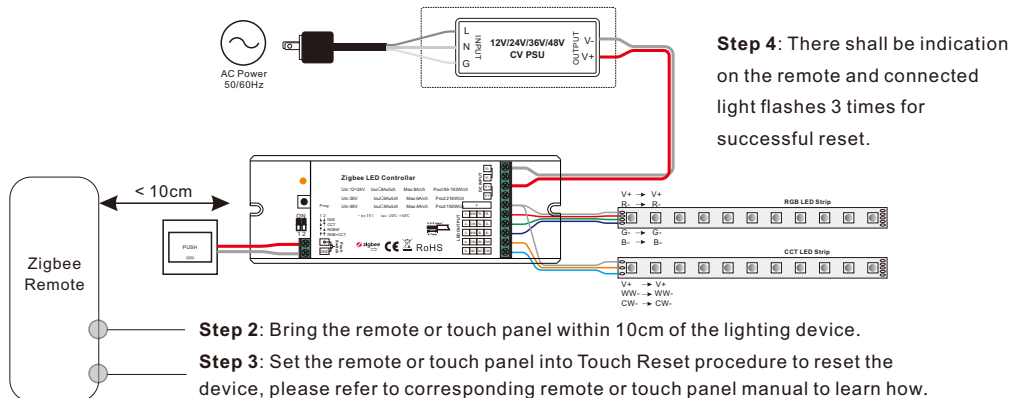


Step 2: Connected light will blink 3 times to indicate successful reset.

Note: All configuration parameters will be reset after the device is reset or removed from the network.

7. Factory Reset through a Zigbee Remote (Touch Reset)

Step 1: Reset power of the device to start TouchLink Commissioning, 180 seconds timeout, repeat this step.



Step 4: There shall be indication on the remote and connected light flashes 3 times for successful reset.

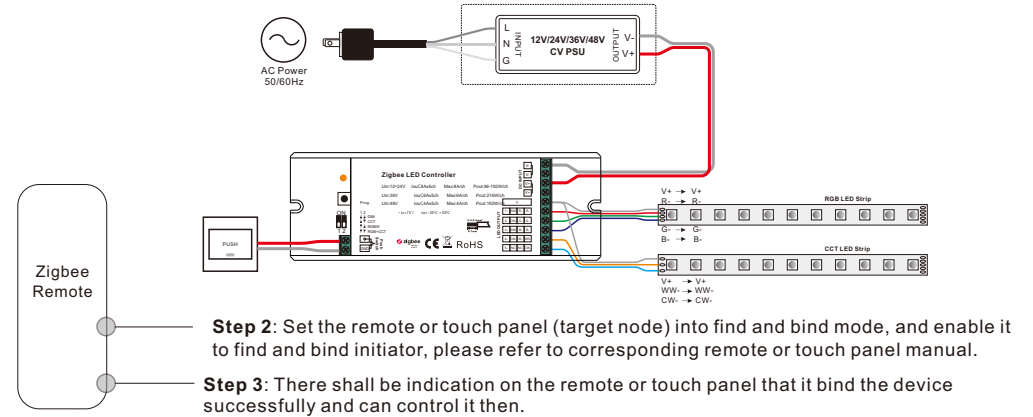
Step 2: Bring the remote or touch panel within 10cm of the lighting device.

Step 3: Set the remote or touch panel into Touch Reset procedure to reset the device, please refer to corresponding remote or touch panel manual to learn how.

Note: Make sure the device already added to a network, the remote added to the same one or not added to any network.

8. Find and Bind Mode

Step 1: Short press "Prog." button 3 times (Or reset power of the device (initiator node) 3 times) to start Find and Bind mode (connected light flashes slowly) to find and bind target node, 180 seconds timeout, repeat this step.



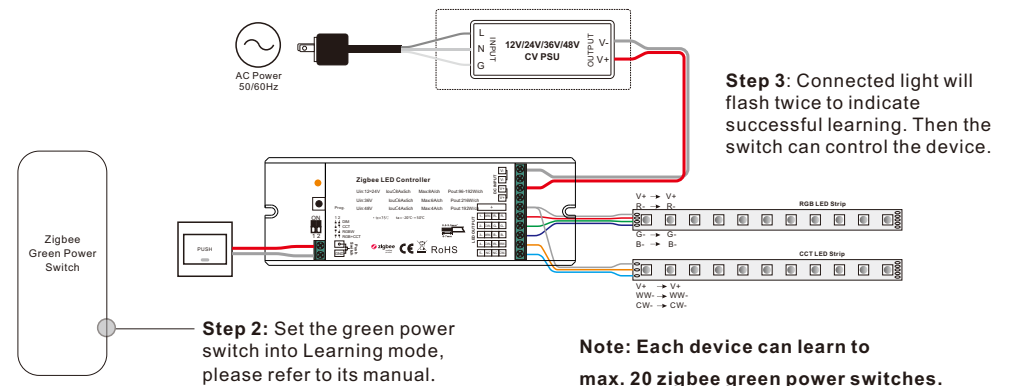
Step 2: Set the remote or touch panel (target node) into find and bind mode, and enable it to find and bind initiator, please refer to corresponding remote or touch panel manual.

Step 3: There shall be indication on the remote or touch panel that it bind the device successfully and can control it then.

Note: Make sure the device and the remote or touch panel already added to the same Zigbee hub.

9. Learning to a Zigbee Green Power Switch

Step 1: Short press "Prog." button 4 times (Or reset power of the device 4 times) to start Learning to GP switch mode (connected light flashes twice), 180 seconds timeout, repeat this step.



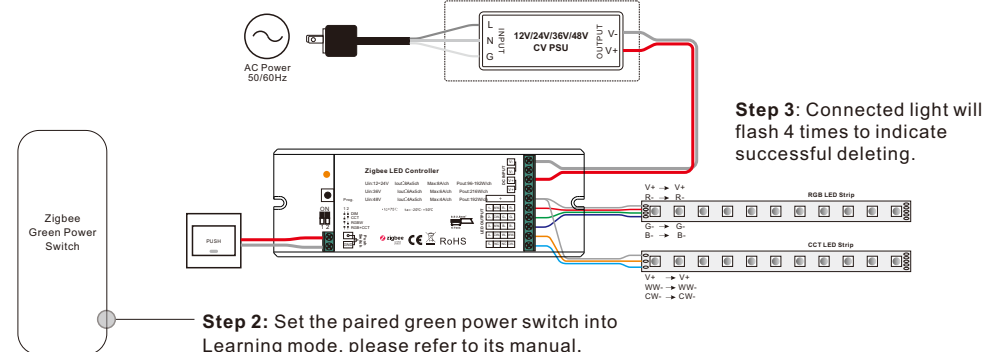
Step 3: Connected light will flash twice to indicate successful learning. Then the switch can control the device.

Step 2: Set the green power switch into Learning mode, please refer to its manual.

Note: Each device can learn to max. 20 zigbee green power switches.

10. Delete Learning to a Zigbee Green Power Switch

Step 1: Short press "Prog." button 3 times (Or reset power of the device 3 times) to start delete Learning to GP switch mode (connected light flashes slowly), 180 seconds timeout, repeat this step.

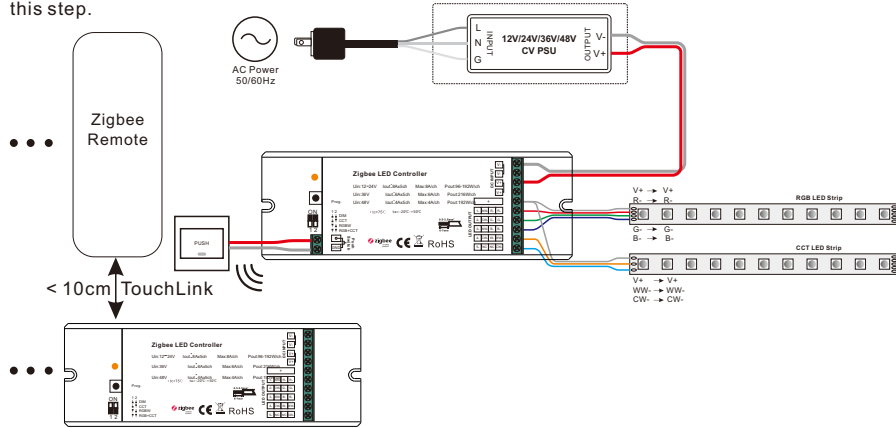


Step 3: Connected light will flash 4 times to indicate successful deleting.

Step 2: Set the paired green power switch into Learning mode, please refer to its manual.

11. Setup a Zigbee Network & Add Other Devices to the Network (No Coordinator Required)

Step 1: Short press "Prog." button 4 times (Or reset power of the device 4 times) to enable the device to setup a zigbee network (connected light flashes twice) to discover and add other devices, 180 seconds timeout, repeat this step.



Step 2: Set another device or remote or touch panel into network pairing mode and pair to the network, refer to their manuals.

Step 3: Pair more devices and remotes to the network as you would like, refer to their manuals.

Step 4: Bind the added devices and remotes through Touchlink so that the devices can be controlled by the remotes, refer to their manuals.

Note: 1) Each added device can link and be controlled by max. 30 added remotes.

2) Each added remote can link and control max. 30 added devices.

12. ZigBee Clusters the device supports are as follows:

Input Clusters

- 0x0000: Basic
- 0x0003: Identify
- 0x0004: Groups
- 0x0005: Scenes
- 0x0006: On/off
- 0x0008: Level Control
- 0x0300: Color Control
- 0x0b05: Diagnostics

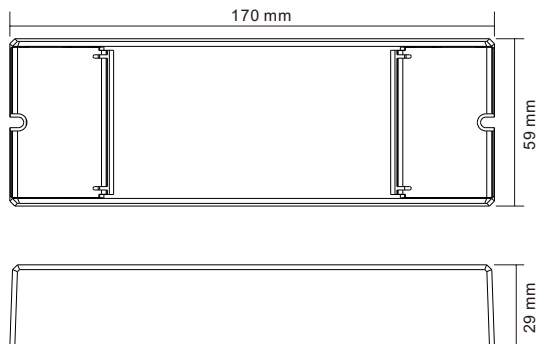
Output Clusters

- 0x0019: OTA

13. OTA

The device supports firmware updating through OTA, and will acquire new firmware from zigbee controller or hub every 10 minutes automatically.

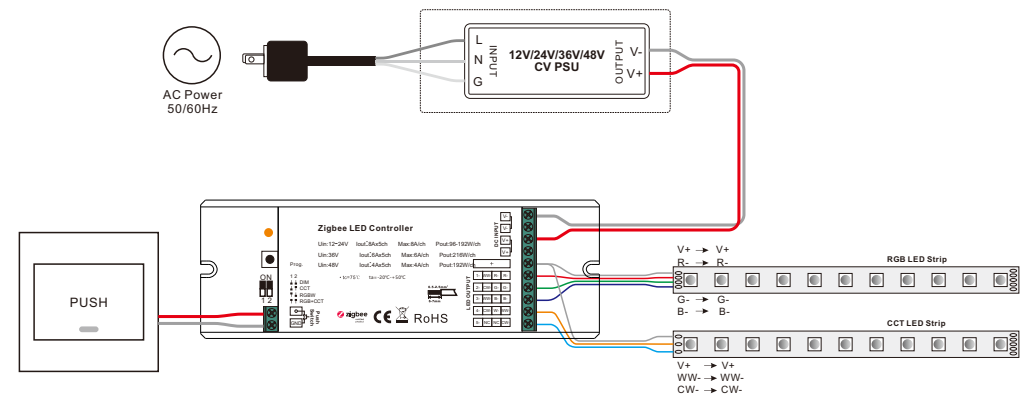
Product Dimension



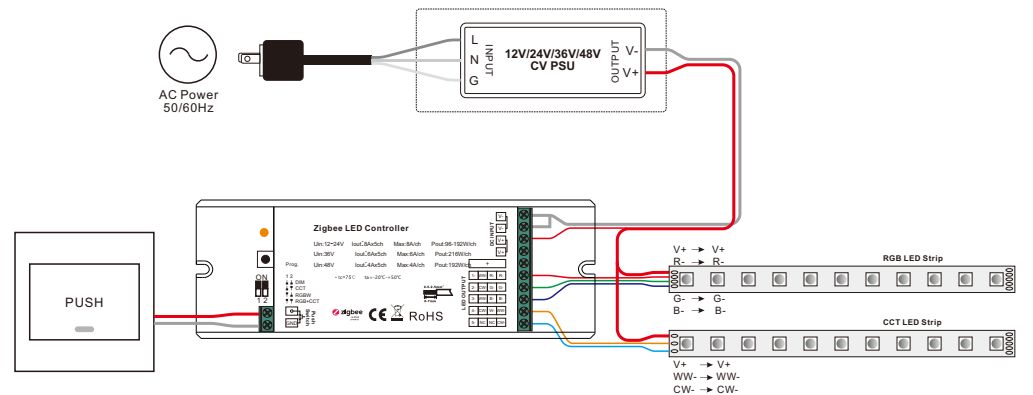
Wiring Diagram

RGB+CCT Mode

1) When total load of each receiver is not over 20A



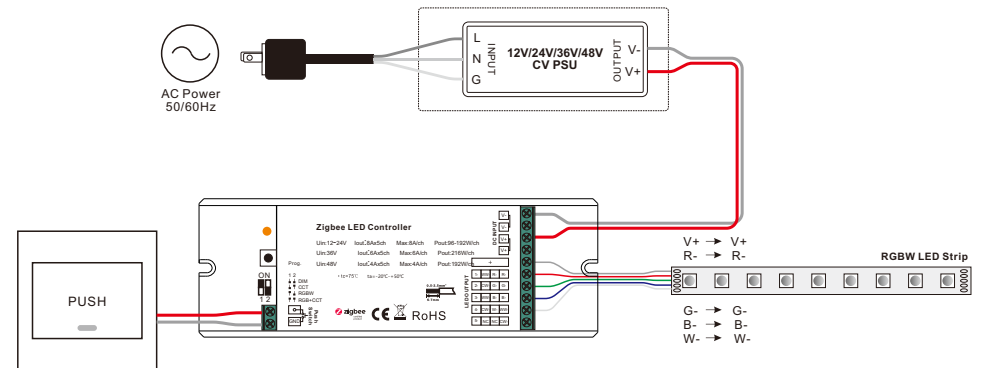
2) When total load of each receiver is over 20A



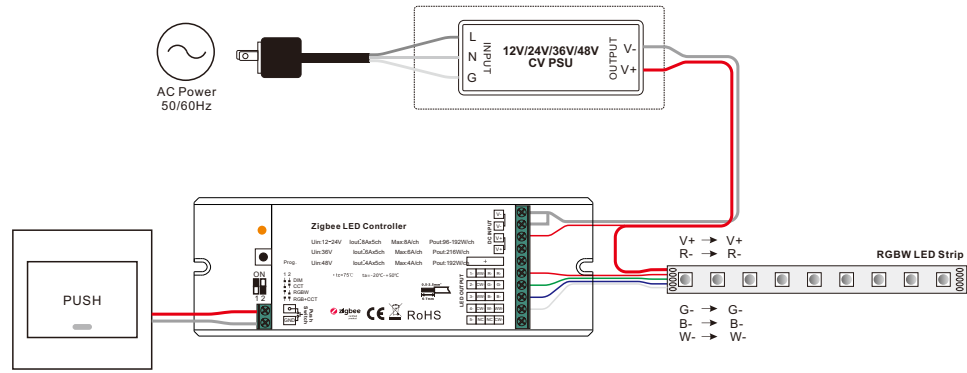
Note: please make sure the dial switches are at position for RGB+CCT mode as shown in above diagram.

RGBW Mode

1) When total load of each receiver is not over 20A



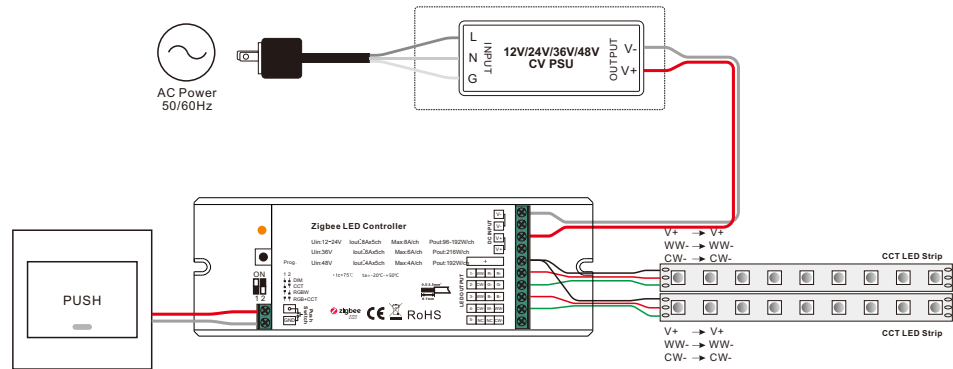
2) When total load of each receiver is over 20A



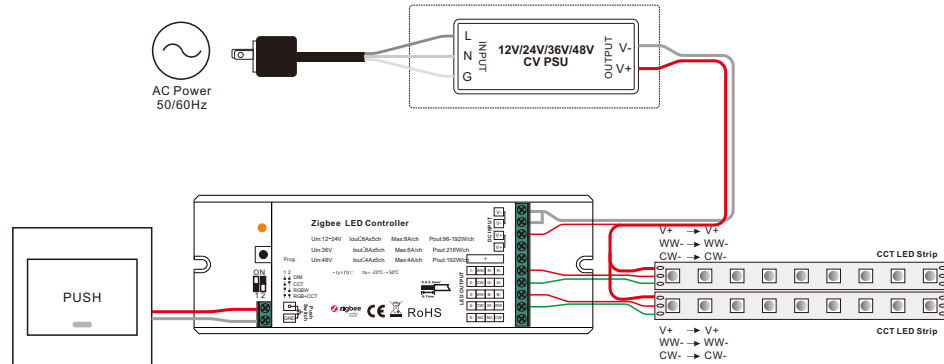
Note: please make sure the dial switches are at position for RGBW mode as shown in above diagram.

CCT Mode

1) When total load of each receiver is not over 20A



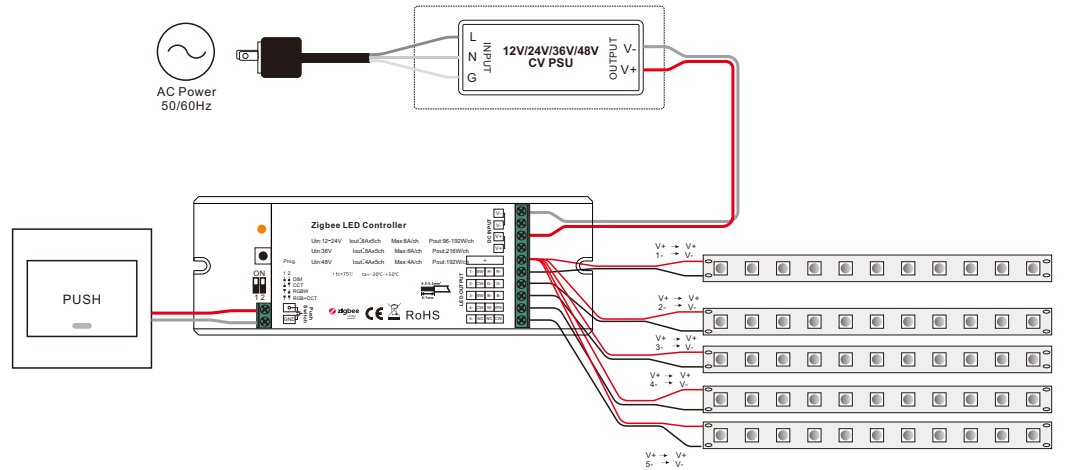
2) When total load of each receiver is over 20A



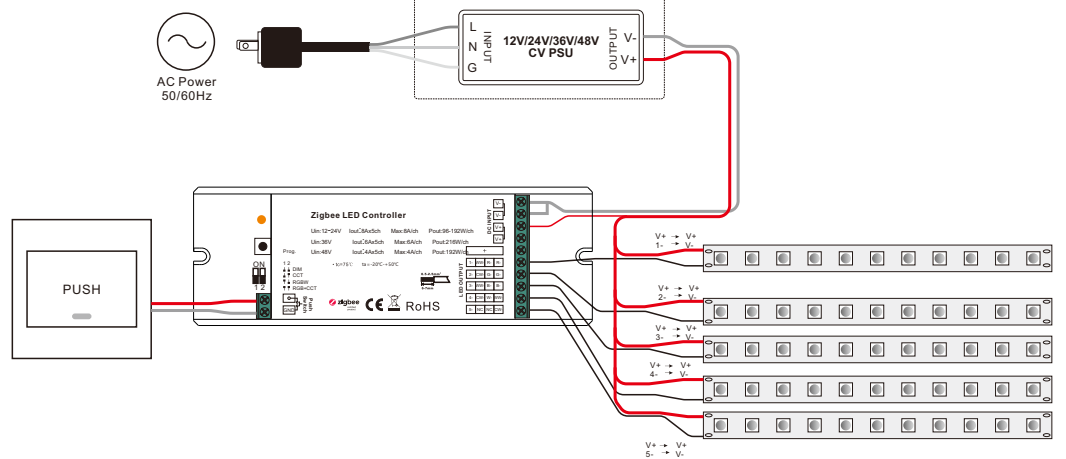
Note: please make sure the dial switches are at position for CCT mode as shown in above diagram.

DIM Mode

1) When total load of each receiver is not over 20A



2) When total load of each receiver is over 20A



Note: please make sure the dial switches are at position for DIM mode as shown in above diagram.

PUSH DIM:

While connected with a push switch, click the button to switch ON/OFF lights. Press and hold down the button to increase/decrease light intensity.